

TEMPLATE

AN ELEGANT SYSTEM |
FOR PRIVATE SPACE

- Form** Friendly shapes follow the ebb and flow of work. Comfort in the right measure of human scale for private space.
- Capacity** Storage, power and communications are accessible everywhere above and below perimeter worksurfaces. Think, sit, stand, meet or move freely within minimal space.
- Modularity** A set of rearrangeable building blocks hug the walls to preserve open space. Elements may be added, subtracted, or reconfigured to afford lasting flexibility. Tables dock, projects nest, and storage rolls below to accommodate frequent change.

P6

Design: Metro Design Group

office size = 11' x 12'
work surface = 5138 sq."
shelf storage = 260"
filing = 40"

Products featured:

Worksurfaces

- straight perimeter core unit
- arc perimeter core unit
- extension bullet desk

Storage

- storage cabinet
- double height overheads with doors and open shelf
- modular pedestal

Mobile

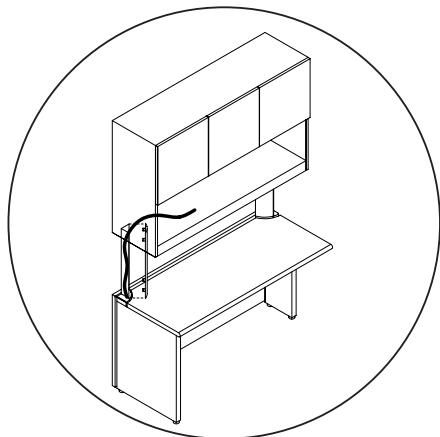
- Moped

Seating

- Berkeley management chair
- Ventura side chairs

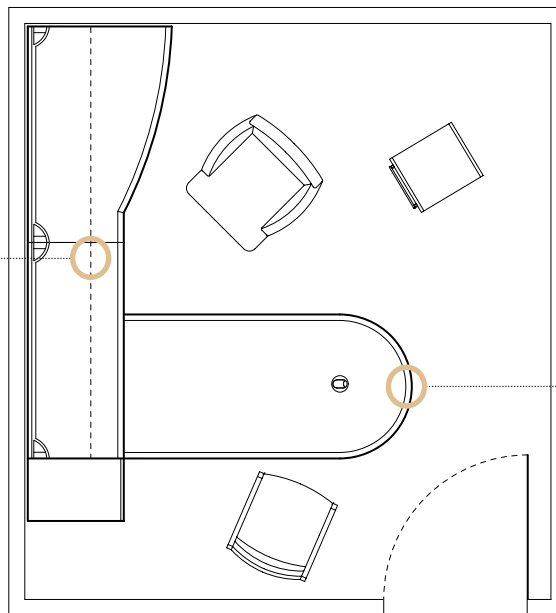
Other products featured

- Details® products
- DesignTex™ fabrics



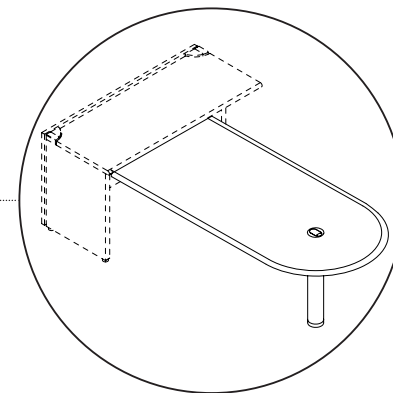
> Overhead Storage

Single and double height cabinets or open shelves mount upon support columns providing 19" or 24" clearance above the worksurface.



> Bullet Extension Desk

provides a work and meeting surface for small offices. Non-handed shape enables ease of reconfiguration.



cabinets							extensions			mobile				pedestals				overheads		
	corner	extended corner	straight	enterprise	arc	stand-up height		bullet desk	arc desk		Bo. Desk	Bumper Table	Go Cart		modular unit	moped	highboy		single height	double height

worksurfaces

storage

