

TEMPLATE

AN ELEGANT SYSTEM |
FOR PRIVATE SPACE

Form Friendly shapes follow the ebb and flow of work. Comfort in the right measure of human scale for private space.

Capacity Storage, power and communications are accessible everywhere above and below perimeter worksurfaces. Think, sit, stand, meet or move freely within minimal space.

Modularity A set of rearrangeable building blocks hug the walls to preserve open space. Elements may be added, subtracted, or reconfigured to afford lasting flexibility. Tables dock, projects nest, and storage rolls below to accommodate frequent change.

P4

Design: Metro Design Group

office size = 8'-6" x 10"
work surface = 3436 sq."
shelf storage = 115"
filing = 40"

Products featured:

Worksurfaces

- extended corner perimeter core unit with 18" radius
- enterprise perimeter core unit

Storage

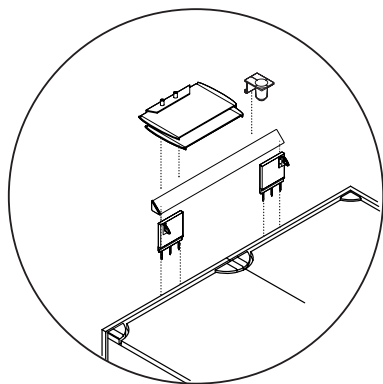
- single height overhead with doors
- modular pedestal
- storage cabinet

Seating

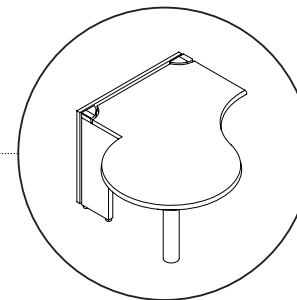
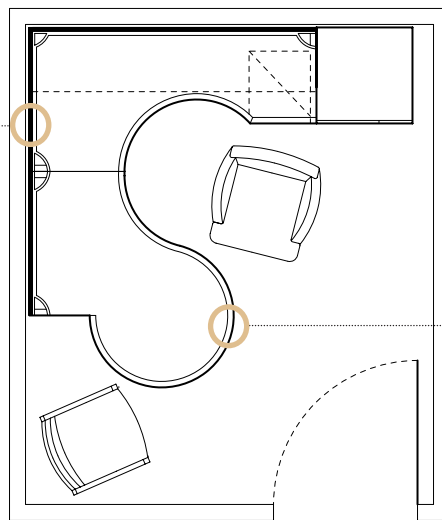
- Berkeley management chair
- Fillmore side chair

Other products featured

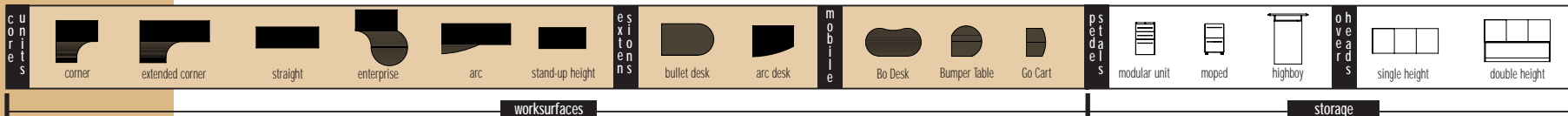
- Details® products
- Steelcase® Montage™ products
- DesignTex™ fabrics



➤ **Accessory Rail**
accepts context and Details Workflo organizing tools; providing ease of reach and preserving work space.



➤ **Enterprise Perimeter Core Unit**
Curved worksurfaces and perimeter components provide maximum capacity for small offices.



worksurfaces

storage

